

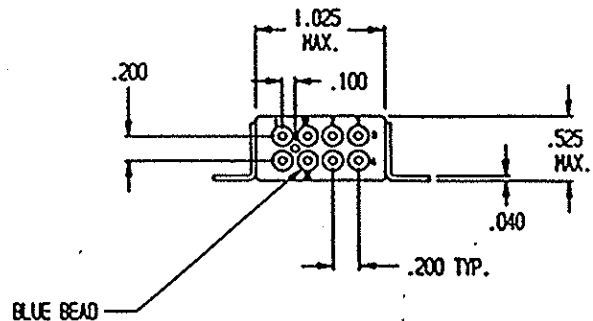
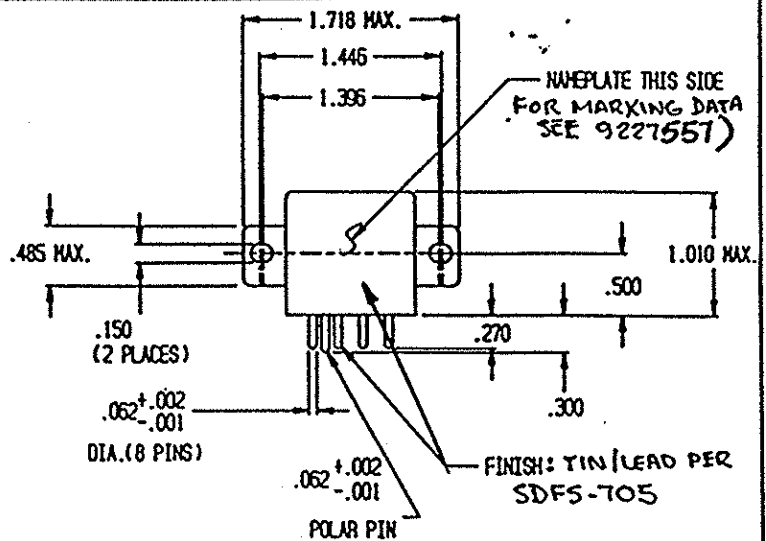
# MSD INC.

# ENGINEERING DATA SHEET

RELAY TYPE: FCA-210-1025M	COMPUTER PART No.: 9227557	TEST PROCEDURE MSDP- 790
CUSTOMER/SPECIFICATION: M83536/10-025M	REV NONE	

### TEST REQUIREMENTS

$\pm 10\%$   
 COIL RES.: 320 OHMS OPERATE TIME: 10ms MAX RELEASE TIME: 10ms MAX  
 CONTACT MAKE BOUNCE: 1ms MAX N.O. BREAK BOUNCE: 0.1ms MAX  
 CONTACT STABILIZATION TIME: 2.5 ms MAX RATED COIL VOLTAGE: 28 Vdc  
 CONTACT RES.: MFG TEST: 8 Milliohms @ 10 mA FINAL TEST: 10 Milliohms @ 10 mA  
 CONTACT VOLTAGE DROP: FINAL TEST: 100 mV @ 10A - 6 Vdc  
 HI-POT: 1250 Vrms ALL POINTS, EXCEPT 1000 Vrms COIL TO CASE  
 INSULATION RESISTANCE: 100 MEGOHMS MIN @ 500 Vdc  
 VIBRATION: MIL-STD-202, METHOD 204 (20G'S / 100-3000 Hz)  
 SEAL TEST:  $1 \times 10^{-8}$  MAX LEAK RATE COIL TRANSIENT SUPPRESSION: 42 Vdc MAX  
 OTHER: \_\_\_\_\_



Prepared By: Date		Approved By: Date	
LES WYNNE 5-29-96			
Rev	ECN No.	Date	
A	96-065	5-29-96	

### SPECIAL INSTRUCTIONS